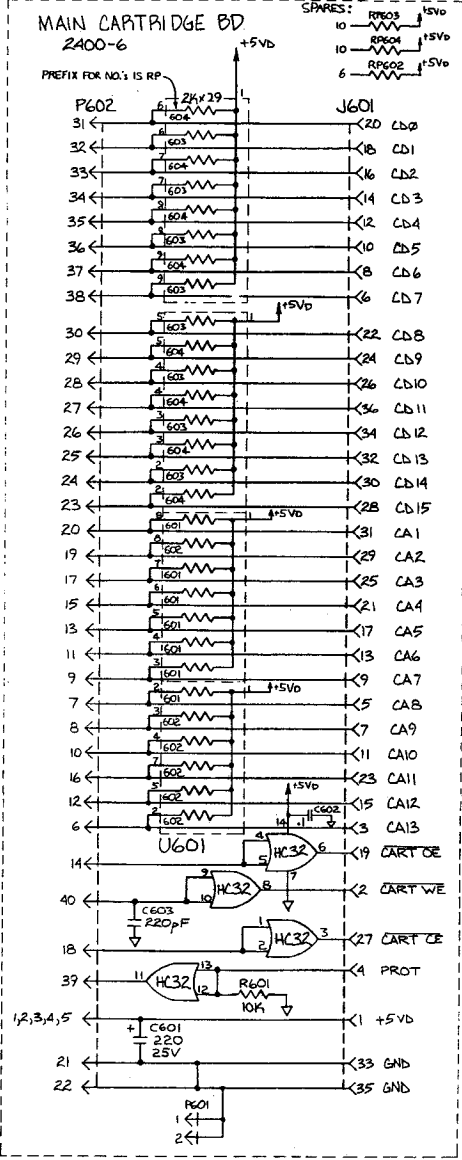
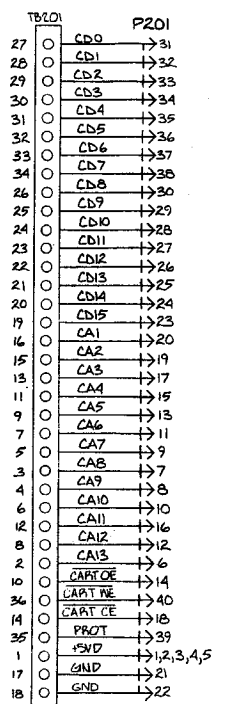
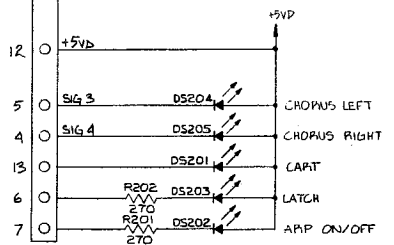
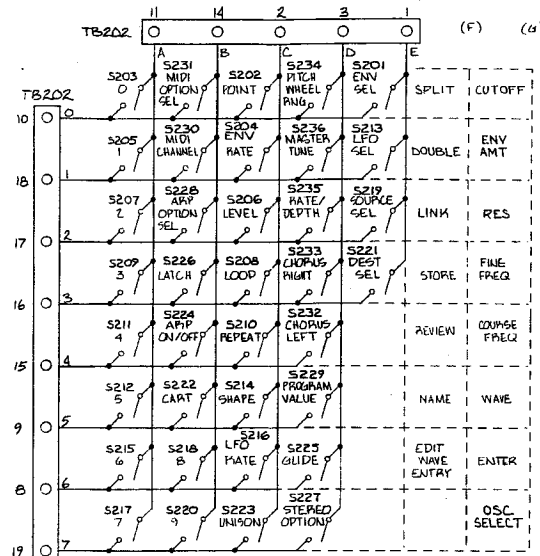


13



| REVISIONS | | | |
|-----------|-------------|------|----------|
| REV | DESCRIPTION | DATE | APPROVED |
| | | | |

13

13

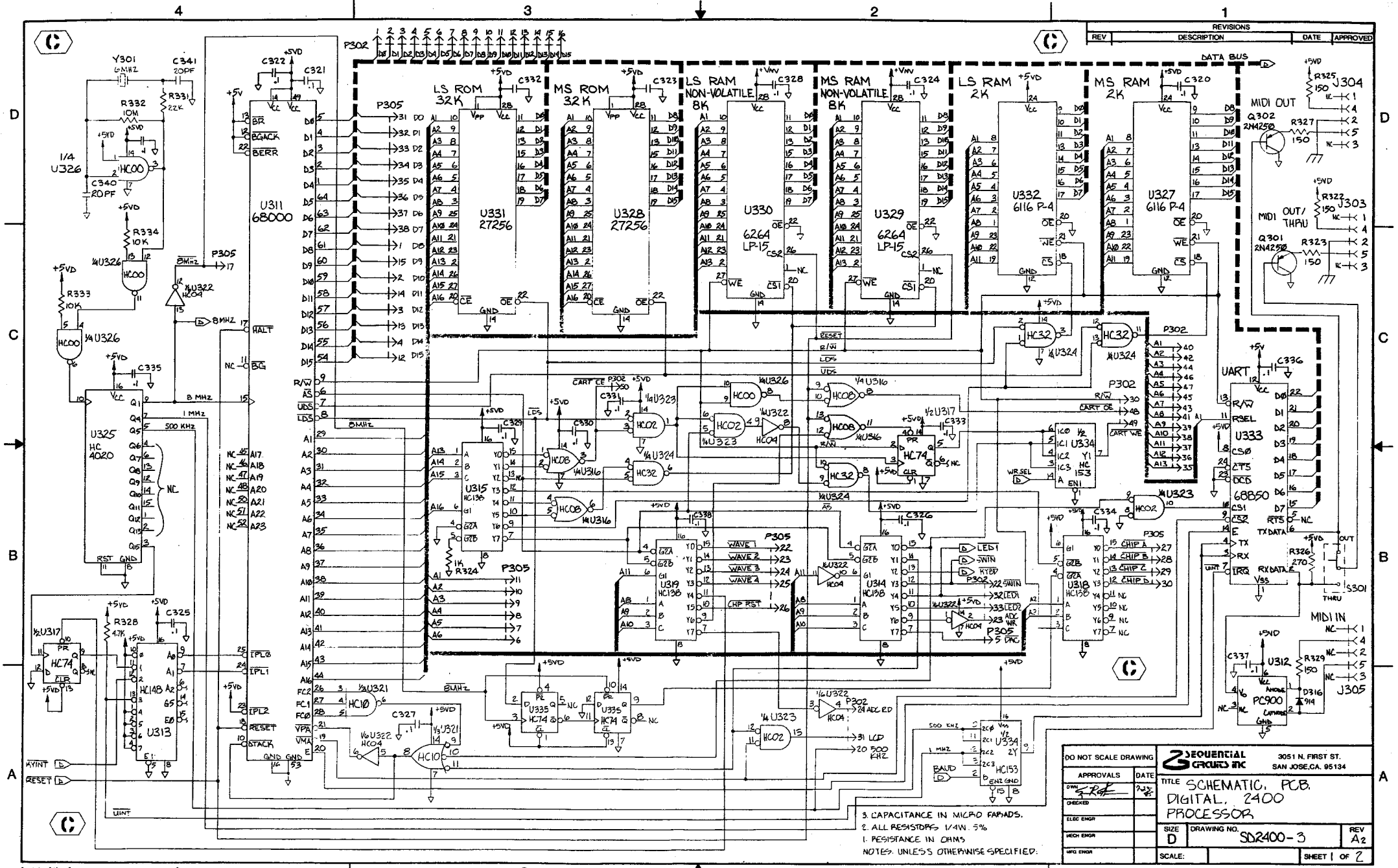
SEQUENTIAL CIRCUITS INC. 3051 N. FIRST ST. SAN JOSE, CA. 95134

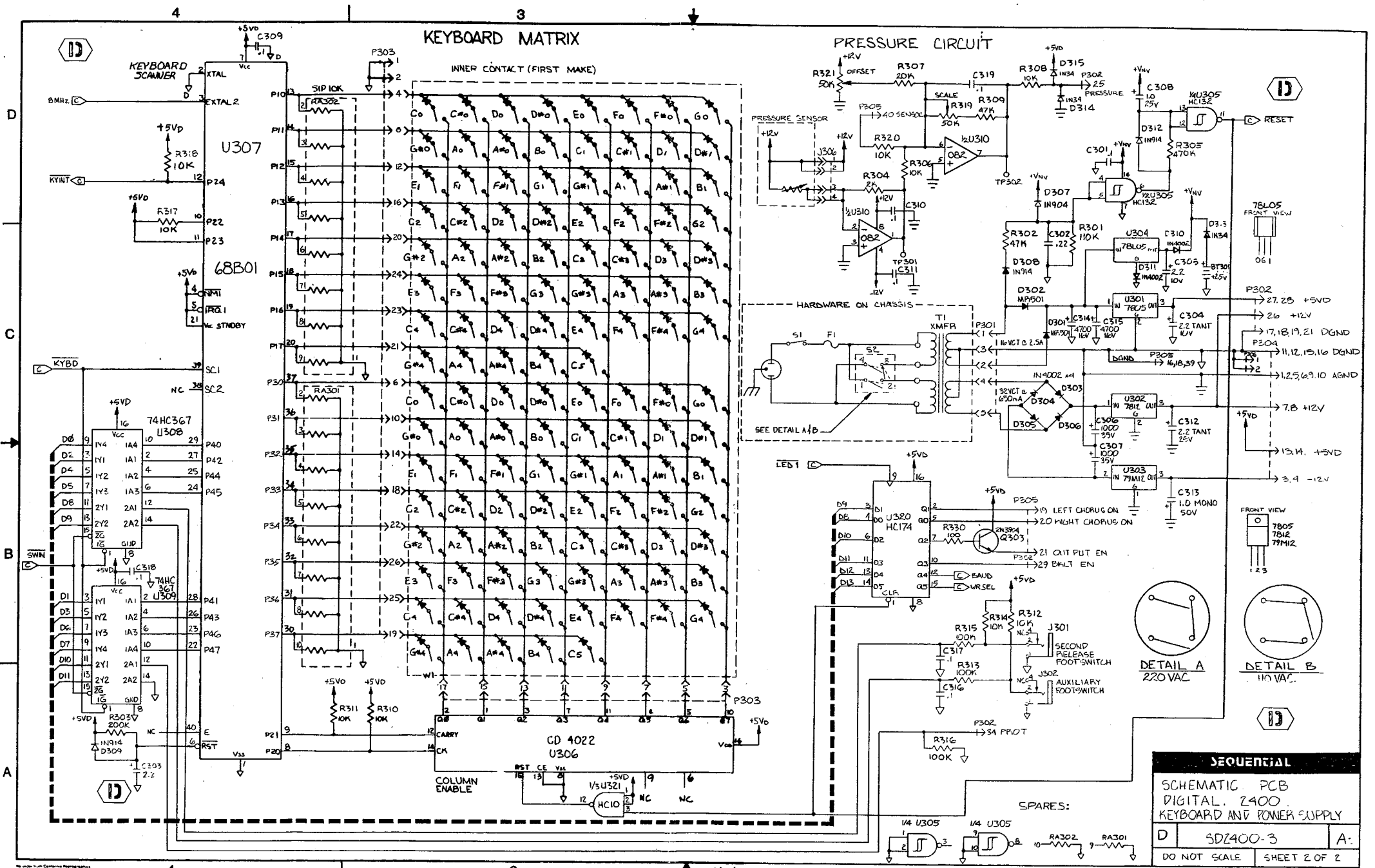
TITLE: SCHEMATIC, PCB. RIGHT FRONT PANEL AND MAIN CARTRIDGE, 2400

| | |
|-------------|----------|
| DATE | 7/8/69 |
| SIZE | D |
| DRAWING NO. | 2400-216 |
| REV | A |

SCALE: N/A SHEET 1 OF 1

3. CAPACITANCE IN MICROFARADS
 2. ALL RESISTORS 1/4W, 5%
 1. RESISTANCE IN OHMS
 NOTES: UNLESS OTHERWISE SPECIFIED:





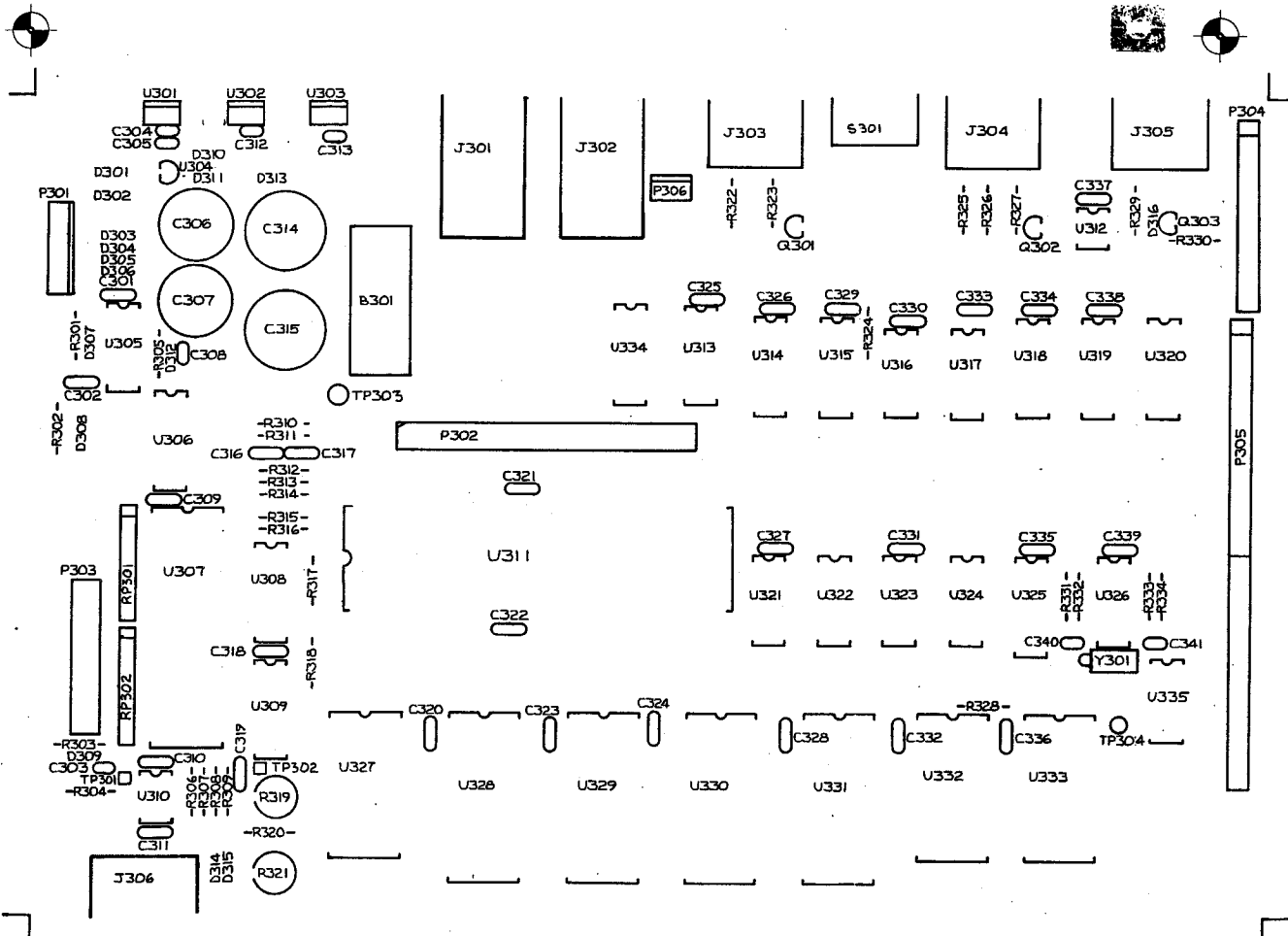
KEYBOARD MATRIX

PRESSURE CIRCUIT

| SEQUENTIAL | | |
|---------------------------|----------|--------------|
| SCHEMATIC PCB | | |
| DIGITAL. 2400 | | |
| KEYBOARD AND POWER SUPPLY | | |
| D | SD2400-3 | A: |
| DO NOT SCALE | | SHEET 2 OF 2 |

4-10

PP2400-3



| SEQUENTIAL | | | | | | | | | |
|------------|------|----|-----|-----|-----|------|----|-----|-----|
| REV | DATE | BY | CHK | APP | REV | DATE | BY | CHK | APP |
| 1 | | | | | | | | | |
| 2 | | | | | | | | | |
| 3 | | | | | | | | | |
| 4 | | | | | | | | | |
| 5 | | | | | | | | | |
| 6 | | | | | | | | | |
| 7 | | | | | | | | | |
| 8 | | | | | | | | | |
| 9 | | | | | | | | | |
| 10 | | | | | | | | | |

| LAST USED | NOT USED |
|-----------|----------|
| C341 | |
| D316 | |
| J306 | |
| P306 | |
| Q303 | |
| R334 | |
| U335 | |

| SEQUENTIAL | | | | | | | | | |
|------------|------|----|-----|-----|-----|------|----|-----|-----|
| REV | DATE | BY | CHK | APP | REV | DATE | BY | CHK | APP |
| | | | | | | | | | |
| | | | | | | | | | |
| | | | | | | | | | |
| | | | | | | | | | |
| | | | | | | | | | |
| | | | | | | | | | |
| | | | | | | | | | |
| | | | | | | | | | |
| | | | | | | | | | |
| | | | | | | | | | |

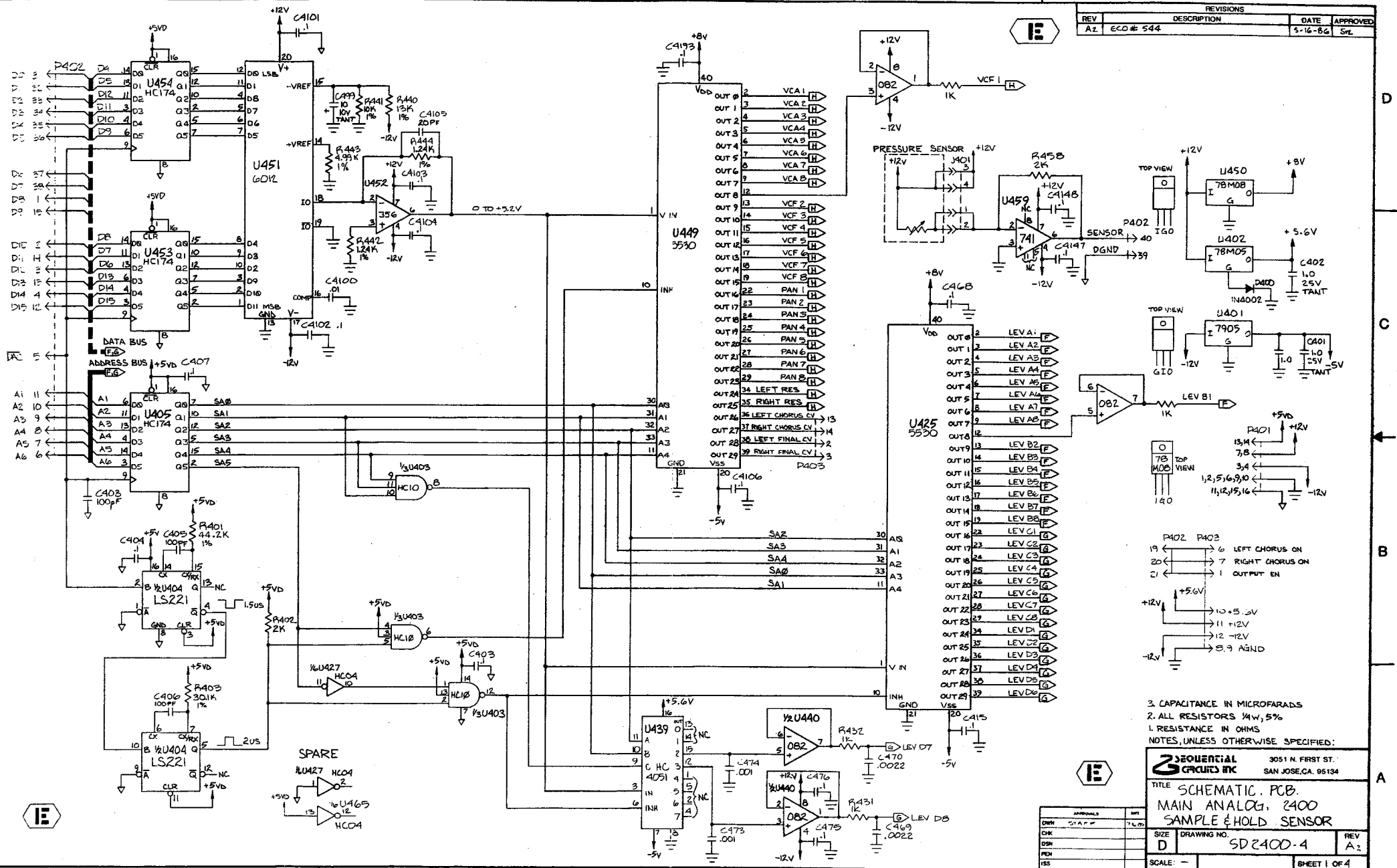
4

3

2

1

| REVISIONS | | | |
|-----------|-------------|---------|----------|
| REV | DESCRIPTION | DATE | APPROVED |
| AZ | ECO # 544 | 5-16-86 | SFL |



- 3. CAPACITANCE IN MICROFARADS
- 2. ALL RESISTORS 1/4W, 5%
- 1. RESISTANCE IN OHMS
- NOTES, UNLESS OTHERWISE SPECIFIED:

SEQUENTIAL CIRCUITS INC. 3051 N. FIRST ST. SAN JOSE, CA. 95134

TITLE: SCHEMATIC. PCB.
MAIN ANALOG, 2400
SAMPLE & HOLD SENSOR

| | | |
|------|-------------|-----|
| SIZE | DRAWING NO. | REV |
| D | SD 2400-4 | A2 |

SCALE: - SHEET 1 OF 4

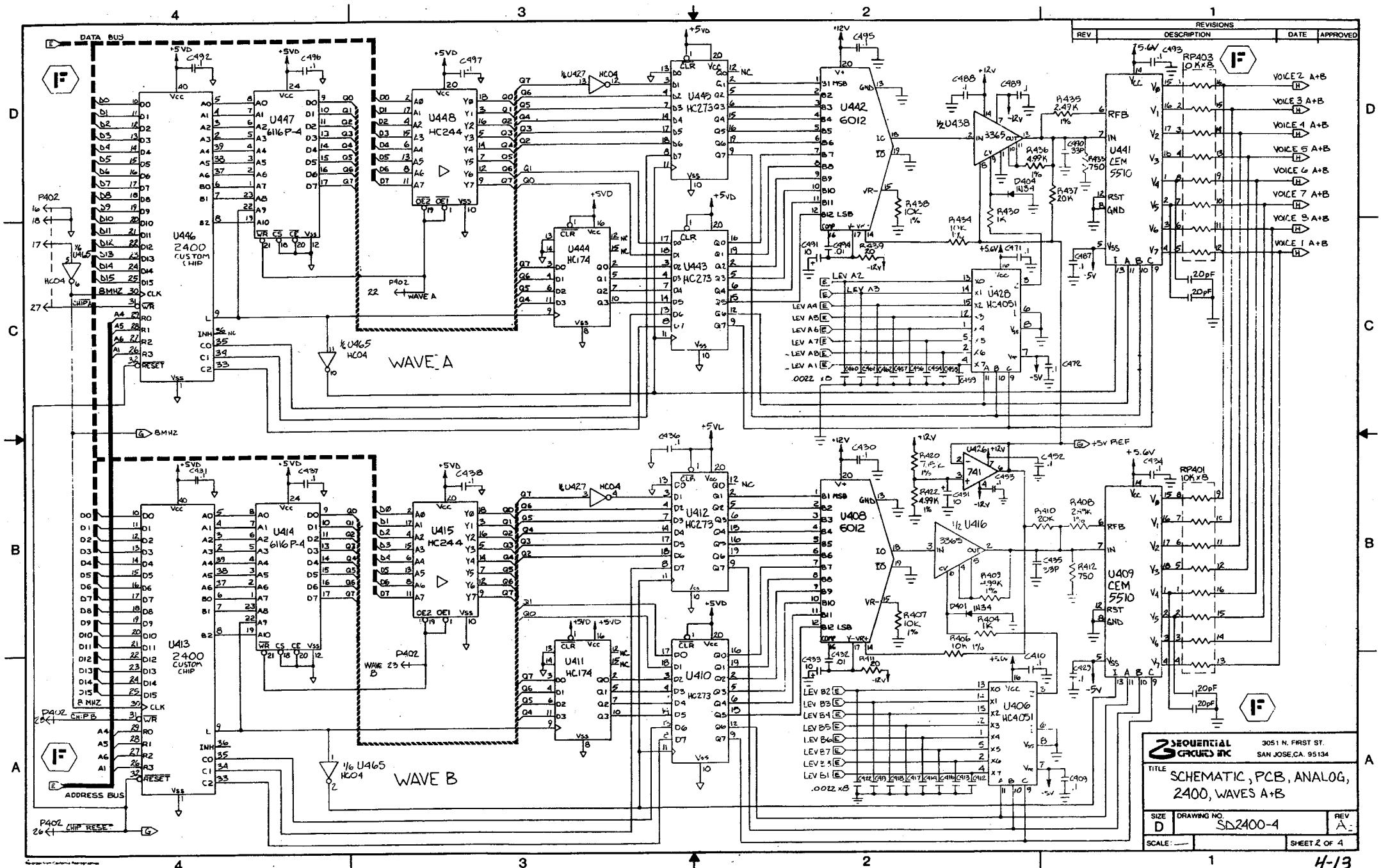
4-12

4

3

2

1

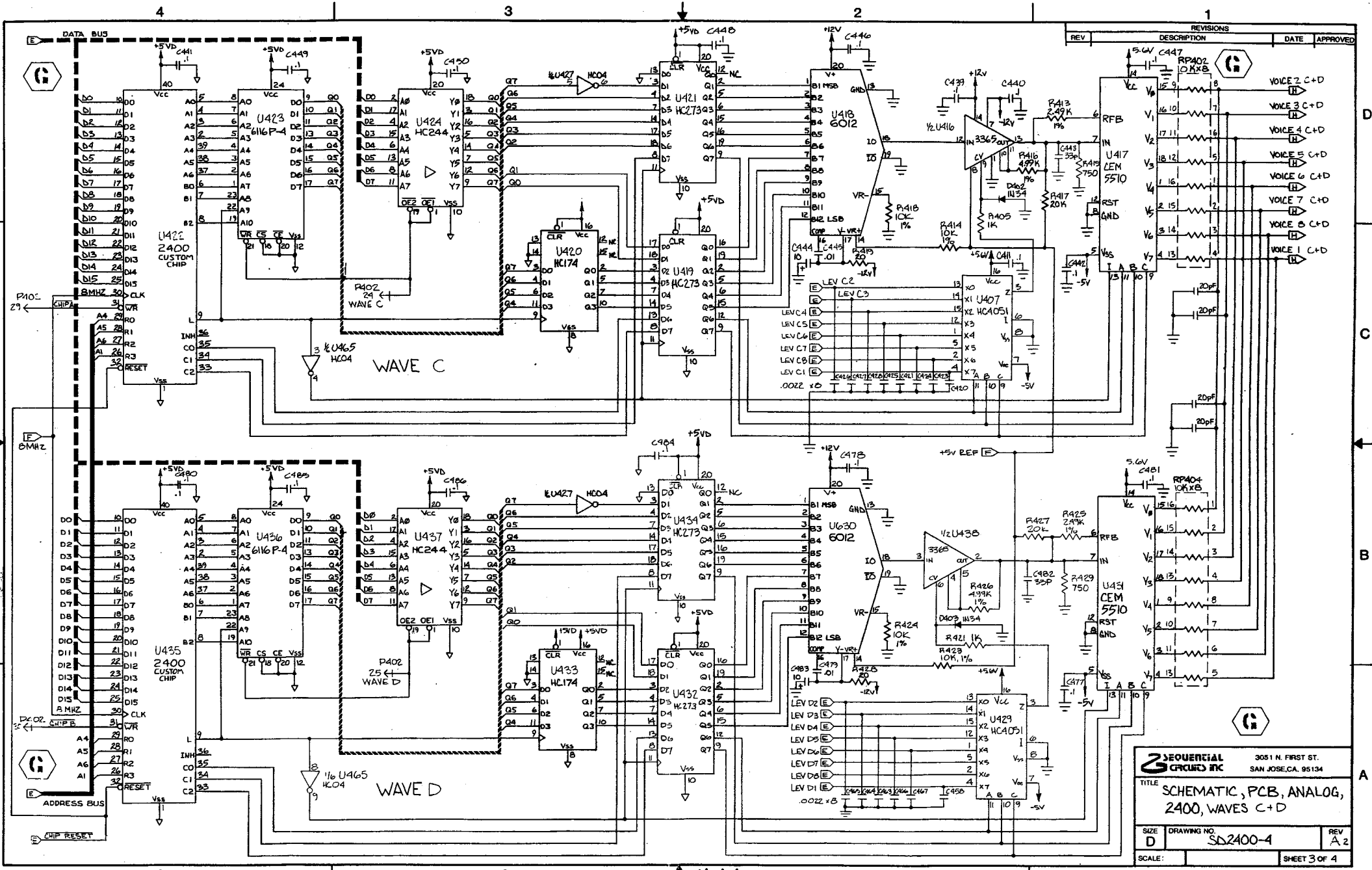


| REVISIONS | | | |
|-----------|-------------|------|----------|
| REV | DESCRIPTION | DATE | APPROVED |
| | | | |

SEQUENTIAL CIRCUITS INC.
 3051 N. FIRST ST.
 SAN JOSE, CA. 95134

TITLE: SCHEMATIC, PCB, ANALOG, 2400, WAVES A+B

| | | |
|----------|----------------------|--------|
| SIZE D | DRAWING NO. SD2400-4 | REV. A |
| SCALE: — | SHEET 2 OF 4 | |



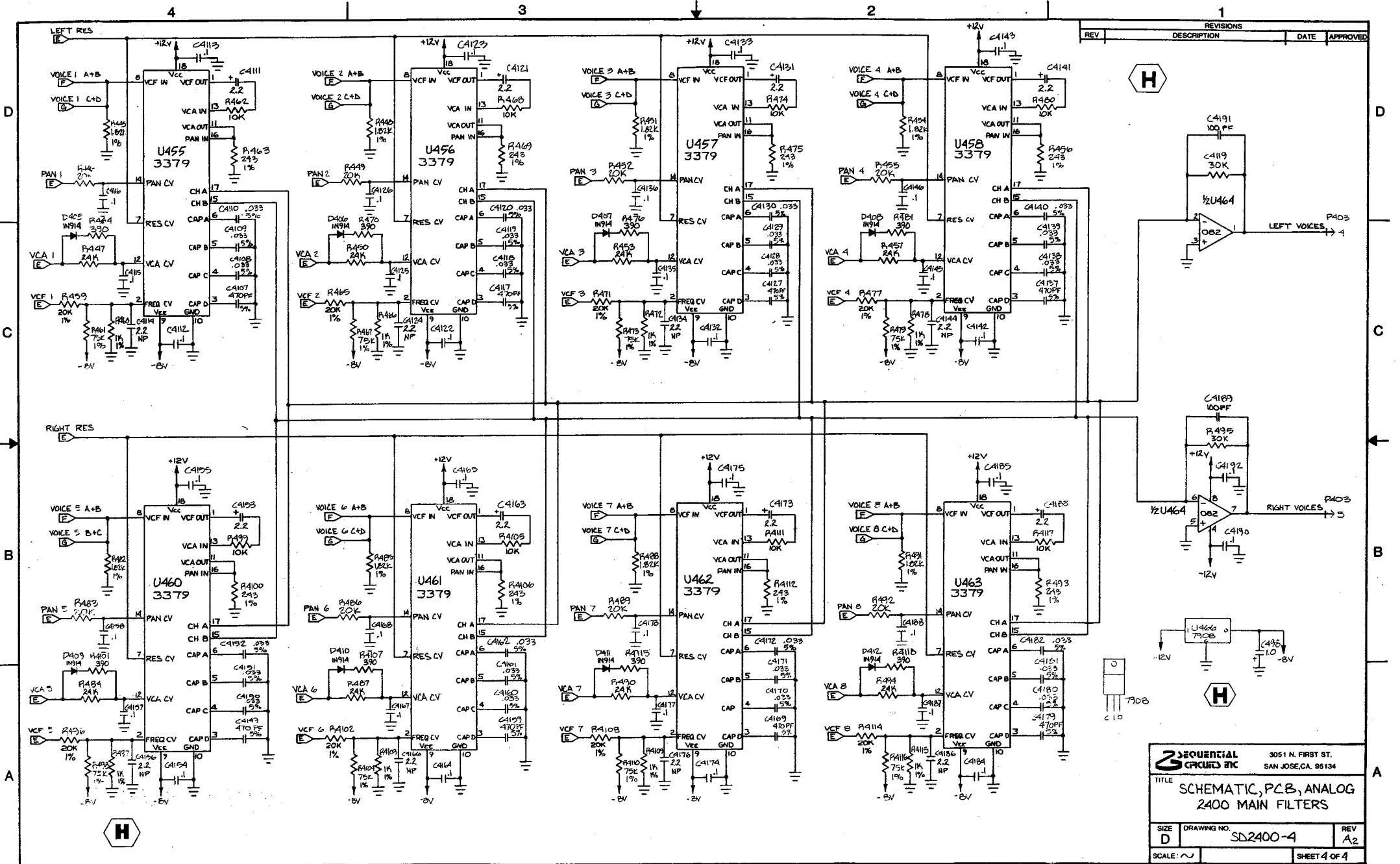
| REV | DESCRIPTION | DATE | APPROVED |
|-----|-------------|------|----------|
| | | | |

| | | | |
|--------------------------------------------------|-----|------------------------------------------|----------|
| | | 3051 N. FIRST ST. SAN JOSE, CA. 95134 | |
| TITLE SCHEMATIC, PCB, ANALOG, 2400, WAVES C+D | | | |
| SIZE | D | DRAWING NO. | SD2400-4 |
| REV | A 2 | SCALE: | |
| SHEET 3 OF 4 | | | |

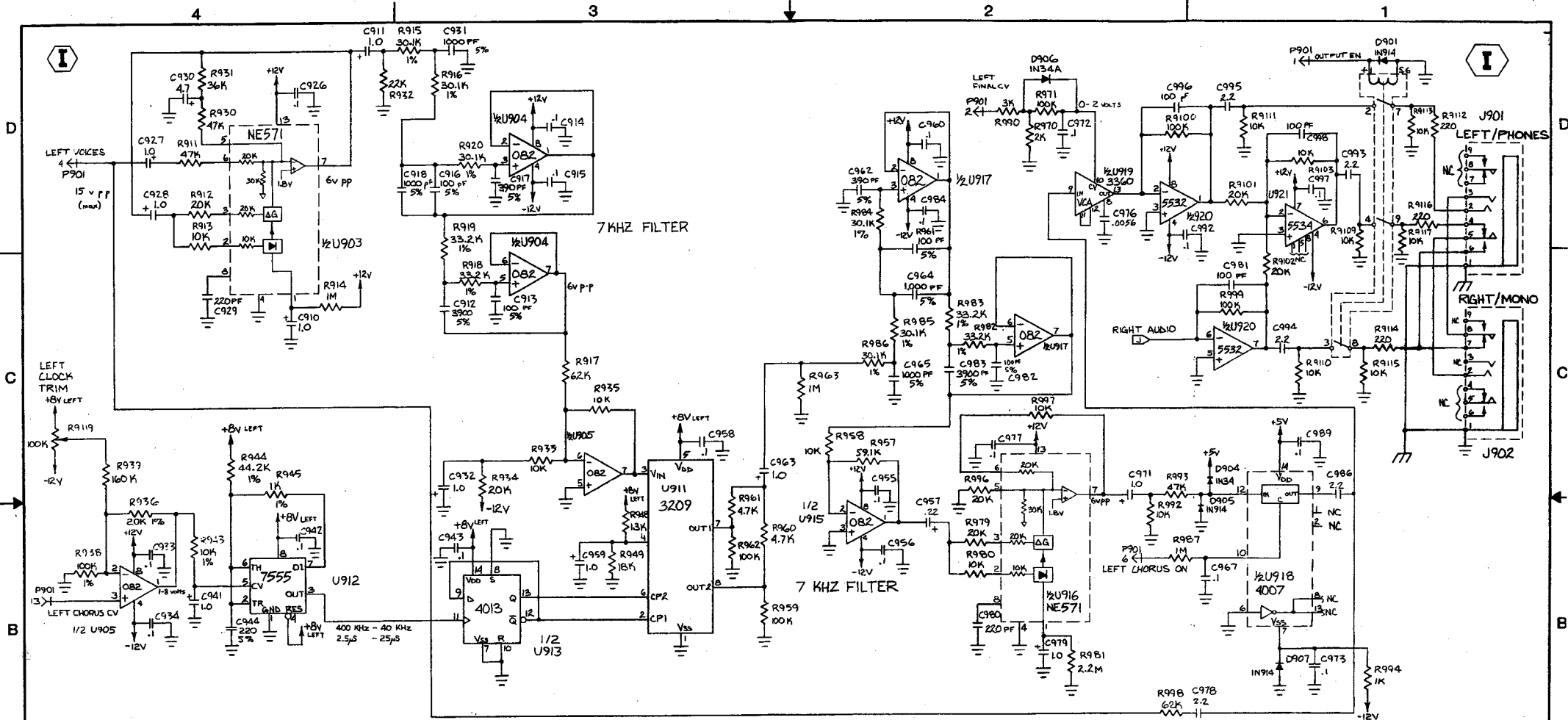
4-14

Revised from California Reprintings

| REVISIONS | | | |
|-----------|-------------|------|----------|
| REV | DESCRIPTION | DATE | APPROVED |
| | | | |

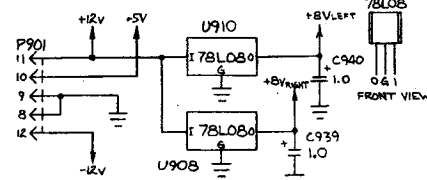
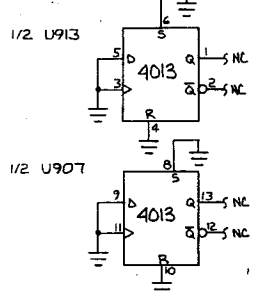


| | | | |
|--------------------------------------------------------------------|-------------------------|------------------------------------------|--|
| | | 3051 N. FIRST ST. SAN JOSE, CA. 95134 | |
| TITLE SCHEMATIC, PCB, ANALOG 2400 MAIN FILTERS | | | |
| SIZE D | DRAWING NO. SD2400-4 | REV A2 | |
| SCALE: ~ | | SHEET 4 OF 4 | |



LEFT CHORUS

SPARES:



| LAST USED | NOT USED |
|-----------|--------------|
| C997 | |
| D908 | |
| J902 | |
| P901 | |
| Q | |
| R9121 | R137, 46, 14 |
| S | 74-77, 127 |
| U921 | |

- 4) ALL PEAK-PEAK VOLTAGES ARE READ WITH 15V P-P SIGNAL INPUT
 - 3) CAPACITANCE IN MICROFARADS
 - 2) ALL RESISTORS 1/4W, 5%
 - 1) RESISTANCE IN OHMS
- NOTES, UNLESS OTHERWISE SPECIFIED

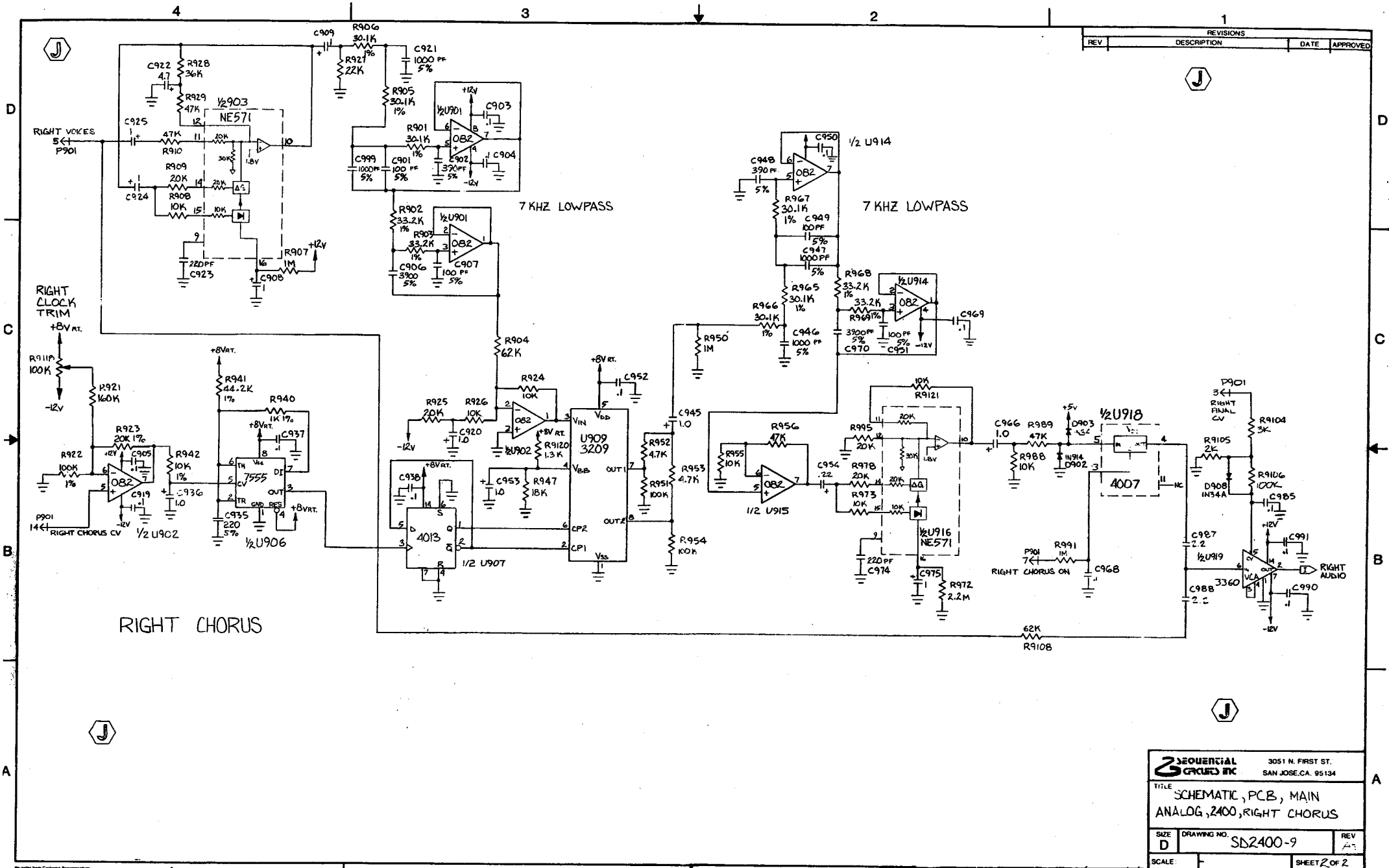
| REV | DATE | REVISION |
|-----|------|----------|
| | | |
| | | |
| | | |
| | | |
| | | |
| | | |
| | | |
| | | |
| | | |
| | | |

SEQUENTIAL CIRCUITS INC.
3051 N. FIRST ST.
SAN JOSE, CA. 95134

TITLE: SCHEMATIC, PCB, MAIN ANALOG, 2400, LEFT CHORUS

SIZE: D DRAWING NO: SD2400-9 REV: A3

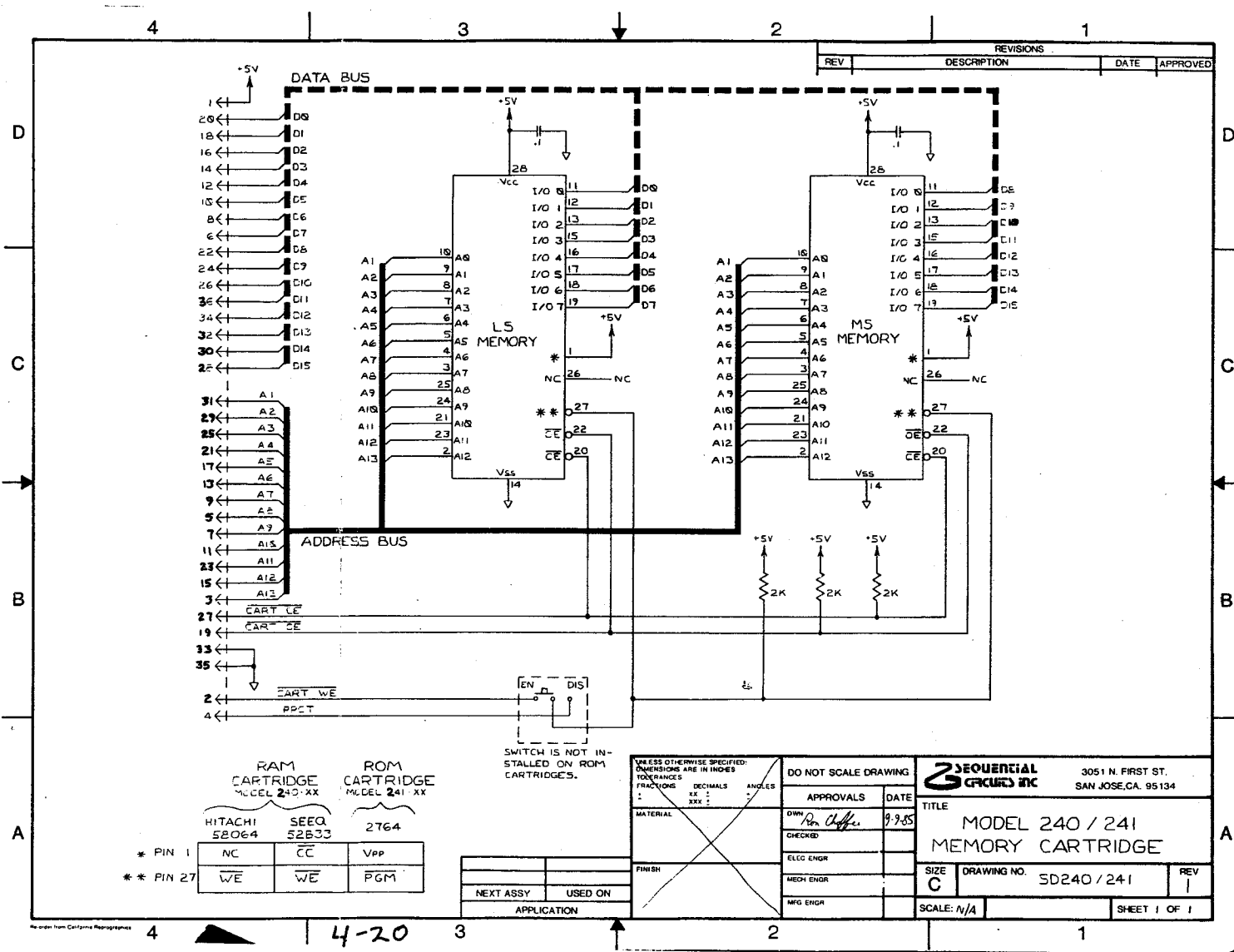
SCALE: SHEET 1 OF 2



| REVISIONS | | | |
|-----------|-------------|------|----------|
| REV | DESCRIPTION | DATE | APPROVED |
| | | | |

| | | | |
|-----------------------------------------------------------|-----------------------|------------------------------------------|--|
| | | 3051 N. FIRST ST. SAN JOSE, CA. 95134 | |
| TITLE: SCHEMATIC, PCB, MAIN ANALOG, 2400, RIGHT CHORUS | | | |
| SIZE: D | DRAWING NO.: SB2400-9 | REV: A | |
| SCALE: | SHEET 2 OF 2 | | |

4-18



| REVISIONS | | | |
|-----------|-------------|------|----------|
| REV | DESCRIPTION | DATE | APPROVED |
| | | | |

D
C
B
A

D
C
B
A

| RAM CARTRIDGE MODEL 240-XX | | ROM CARTRIDGE MODEL 241-XX | |
|-------------------------------|---------------|-------------------------------|-----|
| HITACHI 58064 | SEEG 52B33 | 2764 | |
| * PIN 1 | NC | CC | Vpp |
| ** PIN 27 | WE | WE | PGM |

SWITCH IS NOT INSTALLED ON ROM CARTRIDGES.

UNLESS OTHERWISE SPECIFIED:
DIMENSIONS ARE IN INCHES
TOLERANCES
FRACTIONS
DECIMALS
ANGLES
MATERIAL
FINISH

| | |
|-----------------------|--------|
| DO NOT SCALE DRAWING | |
| APPROVALS | DATE |
| DWN <i>Per Office</i> | 9-9-85 |
| CHECKED | |
| ELCO ENGR | |
| MECH ENGR | |
| MFG ENGR | |

| | | | |
|-------------------------------------|--------------|------------------------------------------|--|
| | | 3051 N. FIRST ST. SAN JOSE, CA. 95134 | |
| TITLE | | | |
| MODEL 240 / 241 MEMORY CARTRIDGE | | | |
| SIZE | DRAWING NO. | REV | |
| C | SD240 / 241 | 1 | |
| SCALE: N/A | SHEET 1 OF 1 | | |